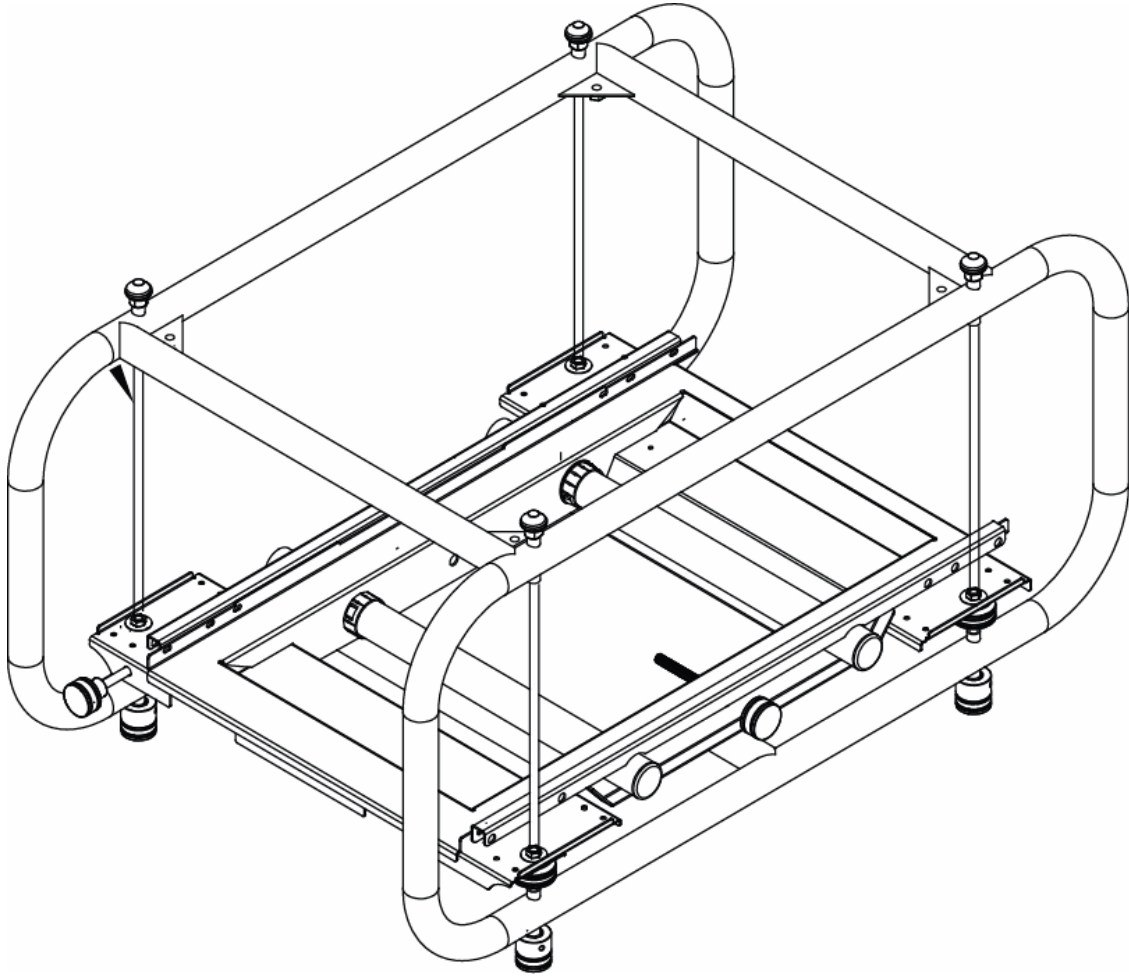


SONY

INSTALLATION MANUAL



SONY SXRD RIGGING AND STACKING FRAME

Sony Electronics, Inc.
1 Sony Drive
Park Ridge, NJ 07656
www.sony.com/professional

SONY

Table of Contents

Warning Statements - 2 -
 Parts List - 3 -
 Installation Tools - 3 -
 Features - 4 -
 Preparation - 5 -
 Projector Installation - 5 -
 Anchoring the Projector - 5 -
 Stacking the SXRD - 6 -
 Eye Bolt Installation - 7 -
 Integrated 3-Prong Power Receptacle - 7 -
 Lateral Shift Adjustment - 7 -
 Adjusting the Projector - 8 -
 Technical Specifications - 9 -
 Warranty - 10 -
 Customer Support - 10 -
 Notes - 10 -

Warning Statements

WARNING: THE MOUNTING STRUCTURE MUST BE CAPABLE OF SUPPORTING AT LEAST FIVE (5) TIMES THE WEIGHT OF THE PROJECTOR. IF NOT, THE MOUNTING SURFACE MUST BE REINFORCED. PROPER INSTALLATION PROCEDURE BY A QUALIFIED SERVICE TECHNICIAN, AS OUTLINED IN THE INSTALLATION INSTRUCTIONS, MUST BE ADHERED TO. FAILURE TO DO SO COULD RESULT IN SERIOUS PERSONAL INJURY, OR EVEN DEATH.

WARNING: SAFETY MEASURES MUST BE PRACTICED AT ALL TIMES DURING THE INSTALLATION OF THIS PRODUCT. USE PROPER SAFETY GEAR AND TOOLS FOR THE INSTALLATION PROCEDURE TO PREVENT PERSONAL INJURY.

WARNING: PRIOR TO THE INSTALLATION OF THIS PRODUCT, THE INSTALLATION INSTRUCTIONS SHOULD BE READ AND COMPLETELY UNDERSTOOD. THE INSTALLATION INSTRUCTIONS MUST BE READ TO PREVENT PERSONAL INJURY AND PROPERTY DAMAGE. KEEP THESE INSTALLATION INSTRUCTIONS IN AN EASILY ACCESSIBLE LOCATION FOR FUTURE REFERENCE.



Indicates that the power plug is to be disconnected from the power outlet.



Contact Sony Electronics with any questions.



Safety precautions must be taken at all times.



Drill for installation environment only - **do not** use a drill on the Digital Projector or the Digital Projector Mount - and drill bit to match the hardware for your installation environment (not included).



A secure structure must support the weight, or load, of the projector.



Do not install on a structure that is prone to vibration, movement or chance of impact. Failure to do so could result in damage to the projector and/or damage to the mounting surface.



Do not install near heater, fireplace, direct sunlight, air conditioning or any other source of direct heat energy. Failure to do so may result in damage to the projector and could increase the risk of fire.



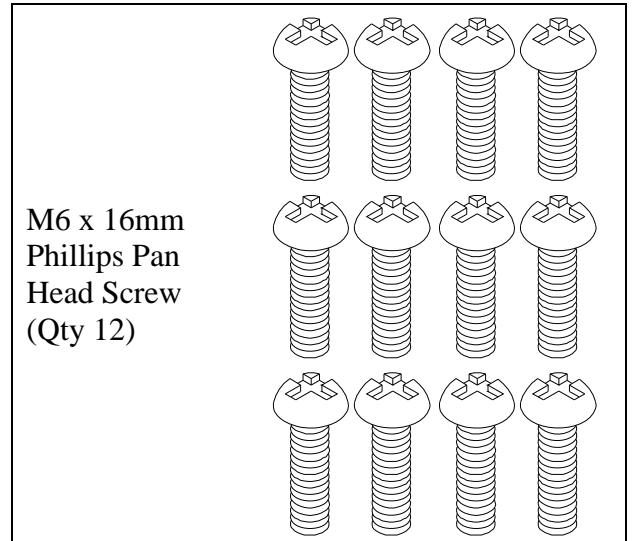
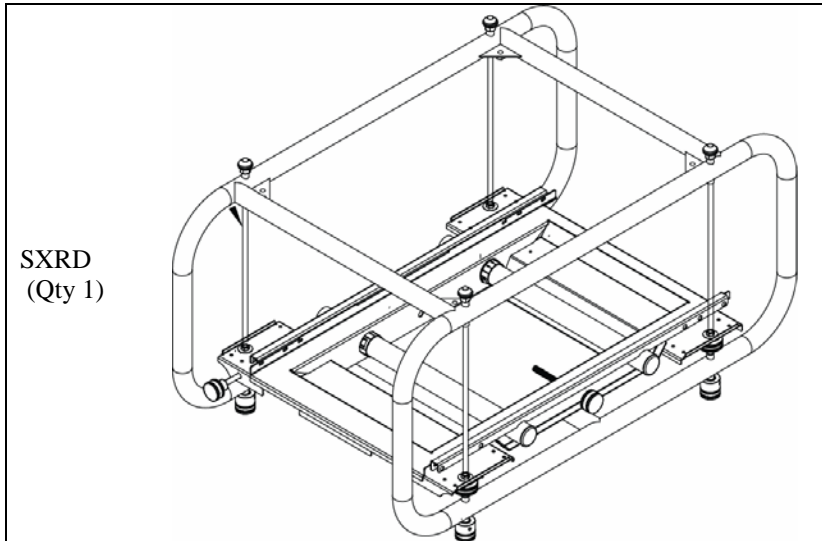
To mount the Sony projector into the Sony Rigging and Stacking Frame, a minimum of two qualified people will be required. Damage to the projector will occur if this step is performed by a single individual.



To mount the Sony Rigging and Stacking Frame, a minimum of two qualified people will be required. It is also strongly advised that the use of a motorized lift be used as well (i.e. a forklift or scissor lift). Damage to the projector will occur if this step is performed by a single individual.

Parts List

NOTE: The Sony Rigging and Stacking Frame is shipped with all proper installation hardware and components. Before installing the Sony Rigging and Stacking Frame, make sure that none of these parts are missing and/or damaged before beginning installation. If there are parts missing and/or damaged, please stop the installation and contact Sony Electronics (877) 350-3477.



Installation Tools

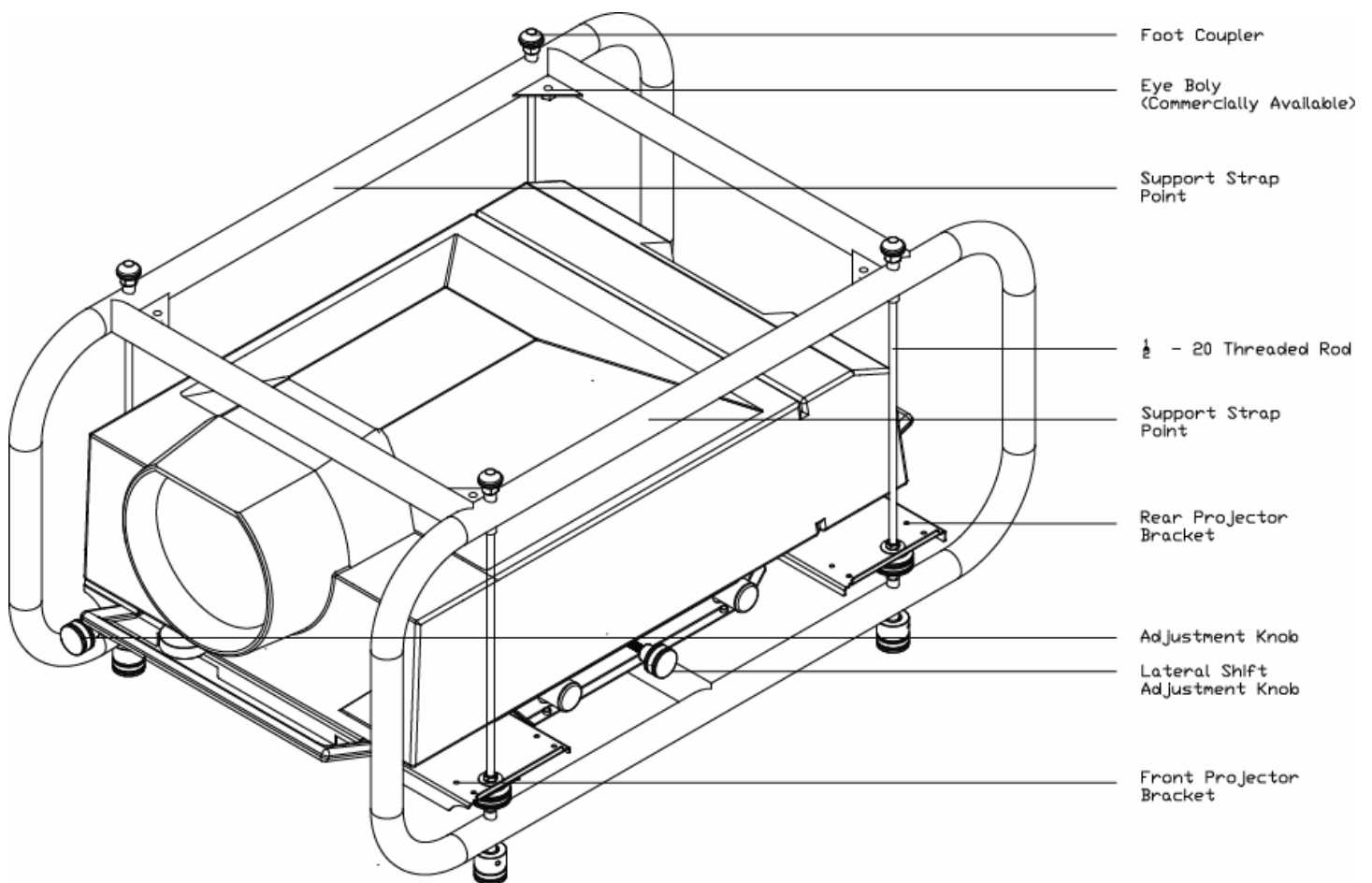
Phillips Head Screw Driver
Pencil
Tape Measure
3/4" Open-Ended Wrench

Portable Drill
Level (Supplied)
Ladder
#2 Phillips Head Screwdriver

Features

Congratulations on the recent purchase of your Sony Rigging and Stacking Frame. The mount is easy to install and is loaded with additional installation features built into the mount. These features allow you to optimize the projector's position to the screen for the best performance and picture quality.

- Can be mounted to the ceiling
- Ability to Stack Multiple Units
- Front and Rear Adjustable Height
- Left-to-Right Adjustment of $1/2^\circ$ ($\pm 1/2^\circ$)
- Integrated 3-Prong Power Receptacle



Preparation

1. Loosen the adjustment feet that are located on the underside of the projector.

NOTE: There are two notch cuts in the front projector bracket. If the feet are not loosened, then the projector will not rest correctly on the bracket.

Projector Feet

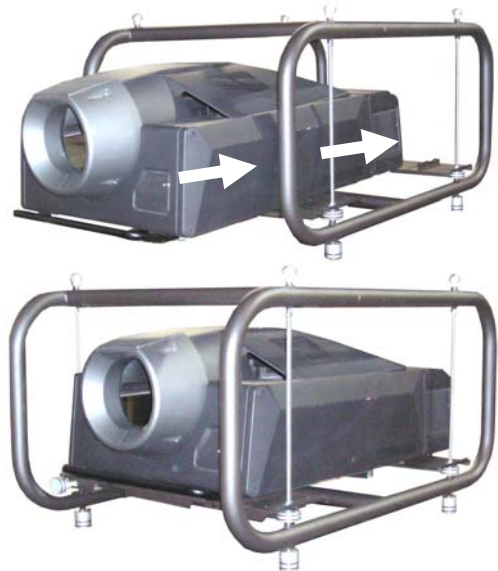


Notch Cuts
(see **NOTE:**)

Projector Installation

1. Carefully insert the projector into the rigging and stacking frame. Make sure the projector feet are captured by the notch cuts.

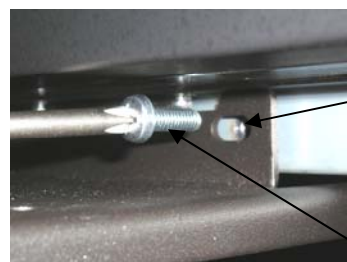
CAUTION: THE PROJECTOR IS HEAVY. THIS STEP REQUIRES A MINIMUM TWO PEOPLE; OTHERWISE, DAMAGE TO THE PROJECTOR AND/OR INJURY CAN OCCUR.



Anchoring the Projector

1. Secure the projector to the rigging and stacking frame mounting points using twelve (12) M6 x 16m Phillips Pan Head screws.

NOTE: The mounting points are located at each side of the projector. There are three mounting points at each corner (total – 12). Do not tighten the screws until ALL the mounting screws have been attached. Once attached, tighten all the mounting screws.



Mounting Points

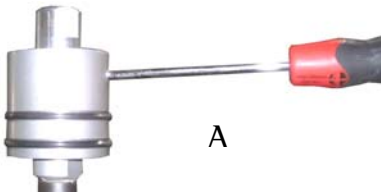
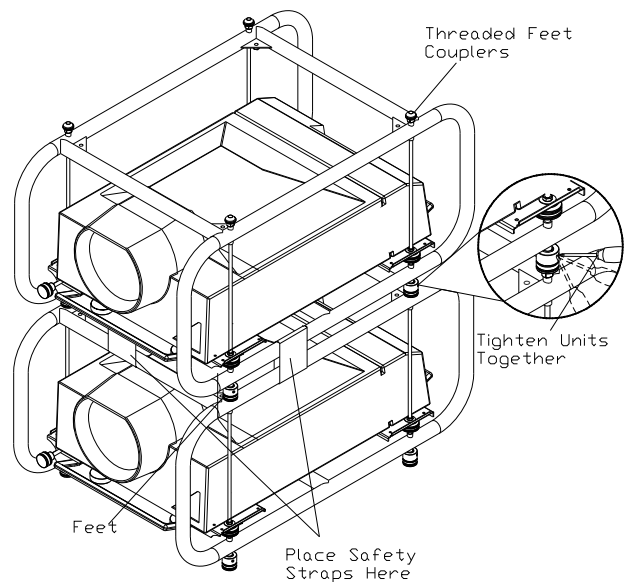
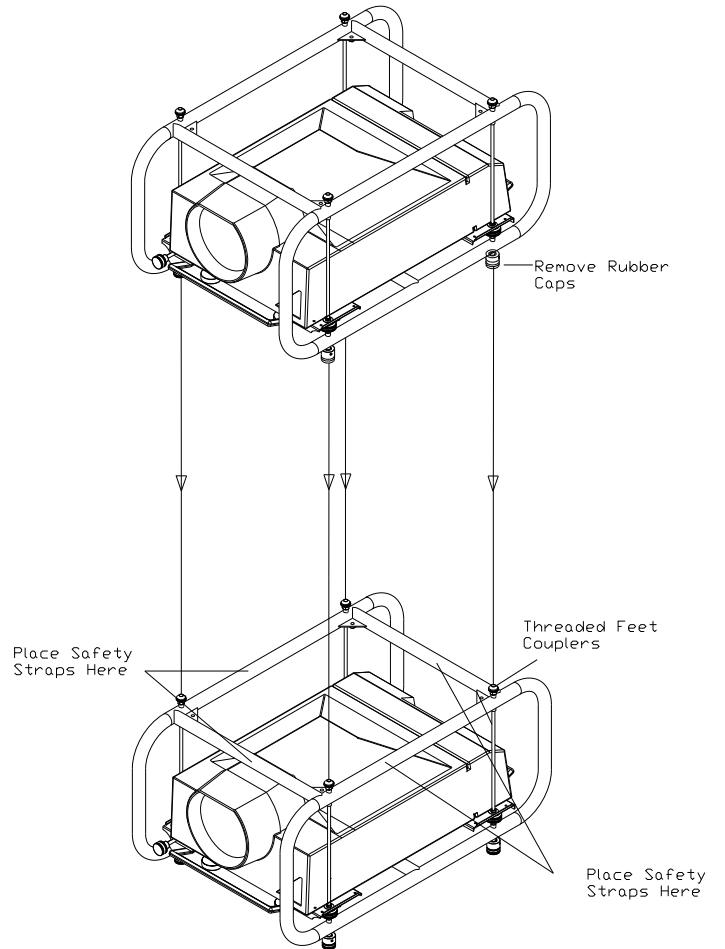


M6 x 16
Phillips Pan
Head screws

Stacking the SXRD

CAUTION: WHEN STACKING TWO OR MORE FRAMES, A SAFETY STRAP MUST BE USED TO SECURE THE FRAMES TOGETHER. THE USE OF EYEBOLTS AND STEEL WIRE MUST ALSO BE USED TO STABILIZE THE FRAMES. TAKE EVERY SAFETY PRECAUTION WHEN STACKING MULTIPLE UNITS TOGETHER. FAILURE TO DO SO COULD RESULT IN PERSONAL INJURY, OR EVEN DEATH.

1. Remove the rubber caps from the locking feet that will be used for the upper stacker.
2. Safely raise the frame and slide the second cage underneath and line up the four (4) threaded feet to the top of the threaded foot couplers that are located on the lower unit.
3. Slowly lower the cage and thread the feet onto the foot couplers and loosely tighten the feet.
4. Once the upper cage is resting on the lower cage, insert a #2 round screwdriver into the hole (located on the side of the foot) and tighten all four points (A). The use of the screwdriver will create the added leverage needed to tighten the adjustable feet completely.
5. Once the feet have been tightened, secure the two units together with two safety straps (commercially available). Be sure to safety strap all four sides.



Eye Bolt Installation

1. If the unit is to be mounted from the ceiling, attach four (4) $\frac{1}{2}$ - 13 x 2" eye bolts (commercially available) into each corner of the upper unit.
2. Adjust each eyebolt to the desired height (a level may be used to insure that the unit(s) is level).

WARNING: The unit(s) is now ready to be mounted. If the unit is to be mounted to the ceiling, it is highly recommended that a qualified technician perform this step.



$\frac{1}{2}$ - 13 x 2" Eye Bolt



Integrated 3-Prong Power Receptacle

It is strongly recommended that a qualified electrician complete all wiring for this unit.

Lateral Shift Adjustment

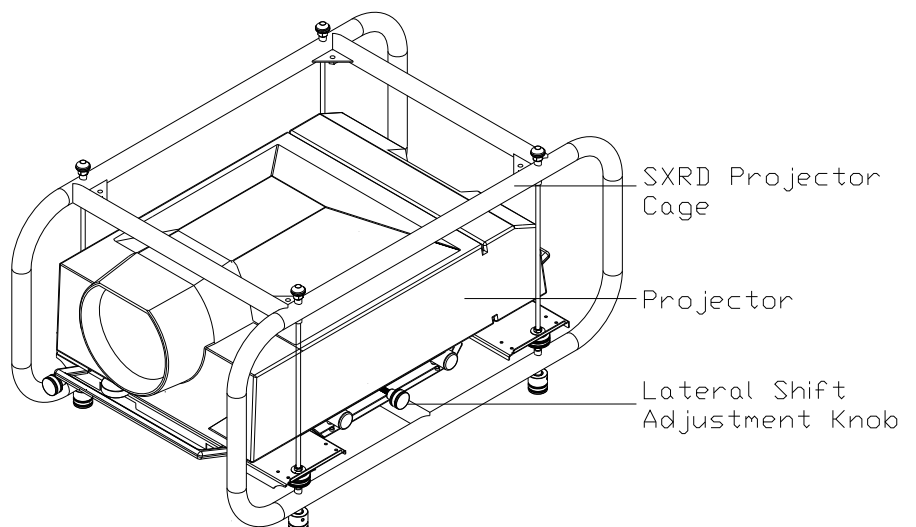
The Lateral Shift Adjustment will allow the user to adjust the projector (from the center position) 0.5" to the left and 0.5" to the right.

To Adjust the Projector to the Right:

Turn the lateral shift adjustment knob clockwise (adjust incrementally if needed).

To Adjust the Projector to the Left:

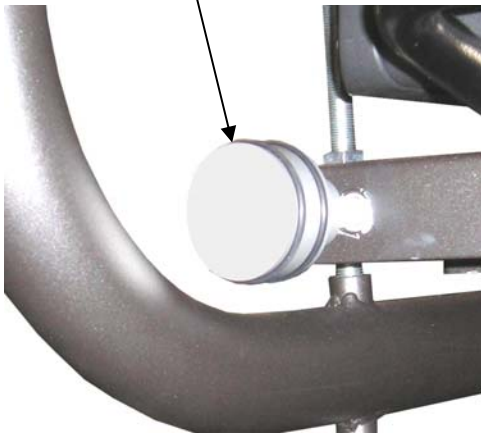
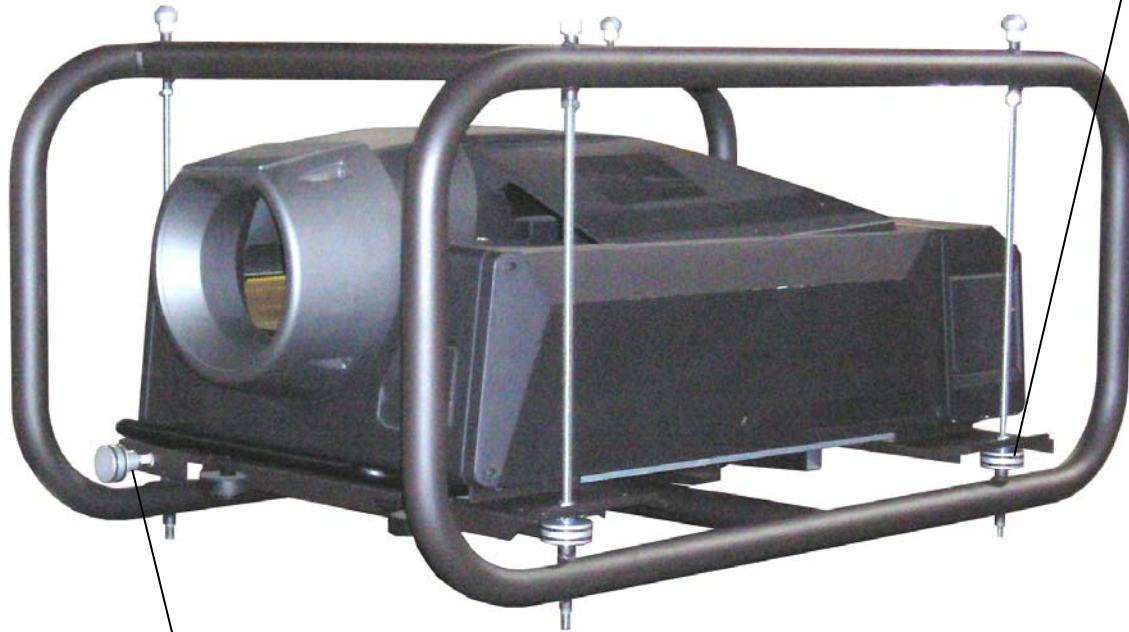
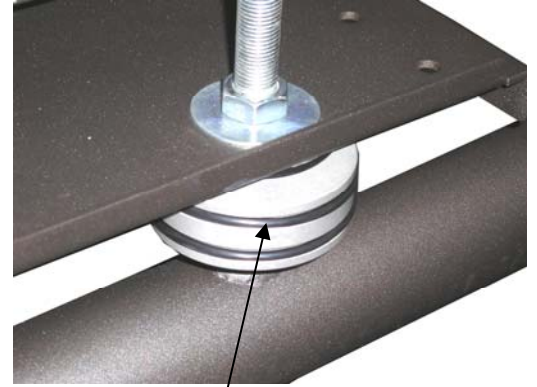
Turn the lateral shift adjustment knob counterclockwise (adjust incrementally if needed).



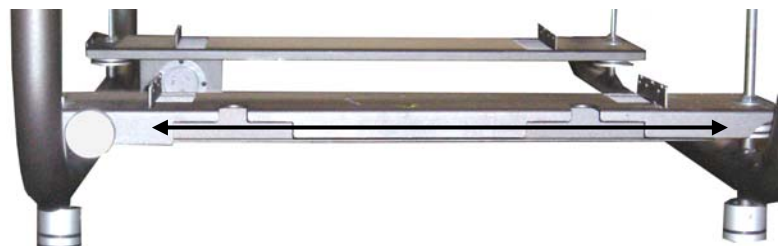
Adjusting the Projector

1. To adjust the projector up, rotate the knob counter clockwise. To adjust the projector down, rotate this knob clockwise (Shown at right).

NOTE: This adjustment knob is located on all four corners of the SXRD.

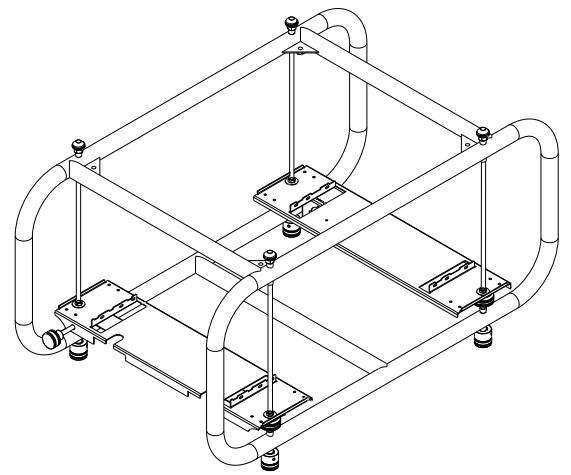
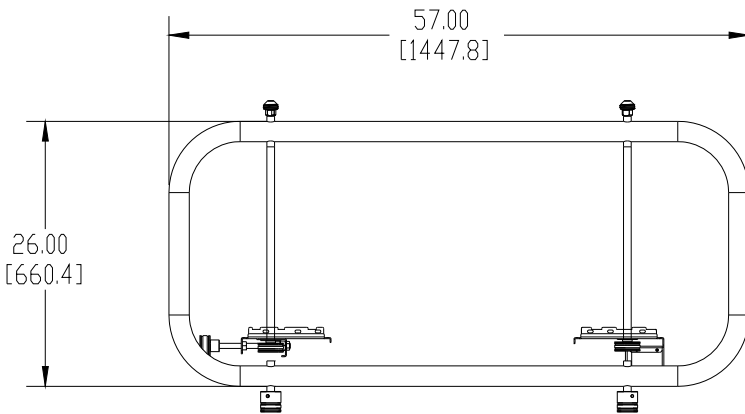
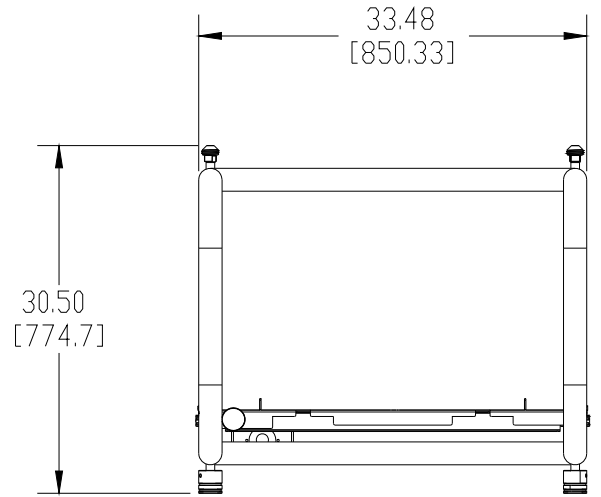
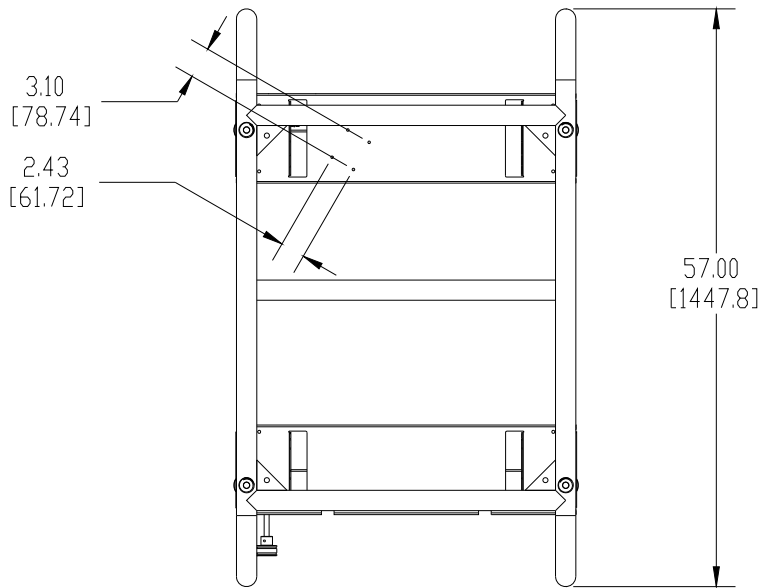


2. To adjust the alignment (left to right) of the projector, this knob must be turned either clockwise or counter-clockwise. The degree of adjustment will be $\frac{1}{2}^\circ$ ($\pm \frac{1}{2}^\circ$) in either direction (shown at left).



Technical Specifications

All measurements shown in inches (mm).



Technical Dimensions

Warranty

Warranty

This product carries a limited lifetime warranty from ship date against defects in materials and workmanship. Sony Electronics is not liable for improper installation that results in damage to mounts, adapters, display equipment or personal injury.

Customer Support

In the event of missing and/or damaged equipment, or technical questions, the following information can help in the completion of the installation.

Customer Service 877-350-3477

Notes

Sony Electronics, Inc.

1 Sony Drive

Park Ridge, NJ 07656

www.sony.com/professional