

ARCHITECT & ENGINEER SPECIFICATIONS
SECTION 16780
VIDEO SURVEILLANCE SYSTEMS

SNC-RZ25N High Resolution Day/Night Pan/Tilt Zoom Camera with 10/100 Base T Ethernet

PART 2 PRODUCTS

2.01 CCTV / NETWORK CAMERA SPECIFICATIONS

A. GENERAL REQUIREMENTS:

1. The SNC- RZ25N Shall be a CS mount, network enabled High Resolution Pan/Tilt Zoom Camera, utilizing a 1/4 type Exwave HAD interline transfer CCD. The camera has an analog video output producing 480 TV lines of horizontal resolution.
2. Network interface is via an 8-pin RJ-45 connector, 10 Base T /100 Base TX Ethernet.
3. The SNC-RZ25N shall utilize JPEG and MPEG-4 compression. Compression levels are user selectable in 5 levels of compression ratios, based on an image of 24bits per picture element (8bits each for YUV).
4. The SNC- RZ25N shall incorporate a built-in web server, such that standard web browser Internet Explorer can be used to view the camera view without need for special viewer software. The supported operating system is Windows® 2000 and Windows XP. Minimum PC requirements shall be 1 GHz, Pentium® III Processor, with 256MB RAM or more supporting 1024X768 True Color display capability with Ethernet 100 Base T.
5. The SNC-RZ25N shall be capable of supporting up to 20 users in the JPEG format or 10 users in the MPEG 4 format simultaneously over the network.
6. There are up to 4 user level settings. Access to functions shall be determined as follows:
 - a. User level 1 Viewing only
 - b. User level 2 Capture image
 - c. User level 3 Trigger relay outputs, capture images, FTP or Email image, & save image into memory
 - d. User level 4 All functions (Administrator)
7. Maximum frame rate capability of the SNC-RZ25N over LAN will up to 30 frames per second on MJPEG or MPEG 4 at a capture size of QVGA.
8. The SNC-RZ25N shall have the capability of selecting either JPEG or MPEG-4 compression formats.
9. The SNC-RZ25N shall be capable of compressing MPEG-4 and JPEG at:

MPEG-4	JPEG
640 x 480 @ 15 fps,	640 x 480 @ 18 fps,
320 x 240 @ 30 fps,	320 x 240 @ 30 fps,
10. Image sizes are user selectable for the following:

MPEG-4

JPEG

640 x 480	640 x 480
320 x 240	320 x 240
160 x 120	160 x 120

11. The SNC-RZ25N minimum slow shutter setting shall be 1/60 second, and a maximum of 1/100,000 sec.
12. The SNC- RZ25N shall support the following Network protocols: TCP/IP, DNS, RTCP, UDP, RTP, ARP, HTTP, ICMP, SMTP, FTP, DHCP, NTP and SNMP (MIB2). Network security shall be via Password (basic authentication) and IP filtering.
13. The SNC-RZ25N shall have both FTP client and server capabilities.
14. The SNC-RZ25N shall have user configurable port settings.
15. The SNC-RZ25N shall be capable of dynamic IP address change notification. It shall accomplish this via an email to a specified address when its IP address changes.
16. The SNC-RZ25N shall be capable of limiting the bandwidth on all ports from 64kbps to 2048 mbps.
17. The SNC-RZ25N shall have an internal image memory size of 8MB for alarm buffering.
18. The SNC-RZ25N shall be capable of pre and post alarm buffering.
19. The SNC-RZ25N shall be capable of adaptive control and also multicast capabilities.
20. The SNC-RZ25N shall be capable of specifying up to 10 users inclusive of administrator, And allow each user to have one of four levels of access.

B. CAMERA LENS SPECIFICATIONS:

1. The SNC-RZ25N lens shall have 18x optical zoom and 12x digital zoom capability
2. The SNC-RZ25N lens shall be auto-focus type, but can be switched to manual, which can be set by the administrator
3. The RZ25N shall have minimum object distance of 290mm (Wide). And 800mm (Tele)
4. The SNC-RZ25N shall have a F Number of F= 1.4 (wide) F 3.0 (tele)
5. The SNC-RZ25N shall have a focal length of F= 4.1 – 73.8mm
6. The SNC-RZ25N shall be capable of auto switchover from color (day-mode) to b/w (night- mode) and vice versa, the transfer shall be selectable for long or short, in order to nullify any artificial lighting changes.
7. The SNC-RZ25N shall require a minimum scene illumination of:
 - Color: 0.71 lux at f1.4 (50 IRE, shutter at 1/60 sec.)
 - B&W: 0.061 lux at F1.4 (50 IRE, shutter at 1/60 sec.)
 - Color: 0.51 lux at f1.4 (50 IRE, shutter at 1/4 sec.)
 - B&W: 0.011 lux at F1.4 (50 IRE, shutter at 1/4sec.)

8. The SNC-RZ25N shall have a continuously variable shuttering capability, a feature called CCD Iris mode. CCD iris mode shall be from 1/60 to 1/100,000 sec, and shall be used only with manual iris, CS mount lenses.

C. VIDEO-ELECTRICAL REQUIREMENTS

1. The power connection shall be by means of screw down mini terminals connector.
2. The scanning system shall be 470 lines, 60 fieldes/30 frames, 2:1 interlace.
3. The video output of the SNC-RG25N shall meet the EIA/NTSC standard.
4. Camera synchronization shall be Internal.
5. The SNC-RZ25N shall be have Normal AGC of 18dB, and an additional 6dB for Turbo AGC for a total range of 24dB.
6. The composite video output shall be 1.0 V peak to peak @ 75 ohms.
7. The video signal to noise ratio shall be more than 50dB (Normal AGC, Weight ON).
8. White balance shall be Auto, Indoor 1, Indoor 2, Outdoor, One push AWB.
9. The SNC-RZ25N shall employ a center weighted backlight compensation system, and shall be selectable for on/off.
10. The SNC-RZ25N shall be capable of being externally triggered to change from color to b/w modes. The cameras shall also be capable of switching between color and b/w modes automatically.
11. The SNC-RZ25N shall have a continuously variable shuttering capability, a feature called CCD Iris mode. CCD iris mode shall be from 1/60 to 1/100,000 sec, and shall be used only with manual iris, CS mount lenses.
12. The SNC-RZ25N shall employ Auto Tracking White (ATW) balance.
13. The Auto tracking white (ATW) balance range shall be 2,000 degrees Kelvin to 10,000 degrees Kelvin.
14. The SNC-RZ25N shall come with a built-in compact flash (CF) slot. The compact flash slot can be utilized for image storage.
15. The SNC-RZ25N shall utilize an SNCA-CFW1 for wireless data transfer .This (CF) type card shall IEEE 802.11b compliant.

D: AUDIO REQUIREMENTS:

1. The SNC-RZ25N shall support audio. Audio compression standards supported shall be G.711 (64kbps) & G.726 (40, 32, 24, 16Kbps).

2. The SNC-DF25N shall also support an external microphone in lieu of the built-in mic. External microphone connectivity shall be via a single channel stereo type mini-jack, supporting 2.4 VDC power at 4.7 ohm external microphone input.
3. The SNC-RZ25N shall support an external active speaker via a mini-jack. Audio output shall be a maximum level of 0.9 Vrms.
4. The SNC-RZ25N shall be capable of bi-direction audio transmission.
5. The SNC-RZ25N shall incorporate Adaptive Rate Control, ARC shall utilize the optimum bit transfer rate to ensure best possible video and audio quality.

E: MECHANICAL REQUIREMENTS:

1. The SNC-RZ25N shall have built in RS232 ports at rear of unit
2. SNC-RZ25N shall have a 12 pin I/O interface located on rear of the base. There shall be two (2) alarm input port, and two (2) Alarm/relay output Ports. The alarm input port shall be opto-isolated.
3. Relay outputs shall be rated at 1 Amp at less than 24V DC
4. The analog video output from the RZ25N shall be a BNC type of connector.
5. The SNC-RZ25N dimensions shall be 5.5118 (W) 7.9921(H) 5.8267(D) inches, 140mm (W) x 203.7mm (H) x 148mm (D).
6. The SNC-RZ30N shall weigh approximately 2lb .8z (1.3kg).

F. POWER REQUIREMENTS

1. The SNC-RZ25N shall use an input power voltage of either AC24V or DC12V.
2. The SNC-RZ25N power requirements shall be AC24 V 50/60 Hz or DC12V.
4. Power consumption for the SNC-RZ25N shall be 18 watts maximum.

G. ENVIRONMENTAL REQUIREMENTS

1. The operating temperature shall be 14°F to 122°F (0°C to +40°C)
2. Storage temperature shall be within -4°F to 140°F (-20°C to +60°C)

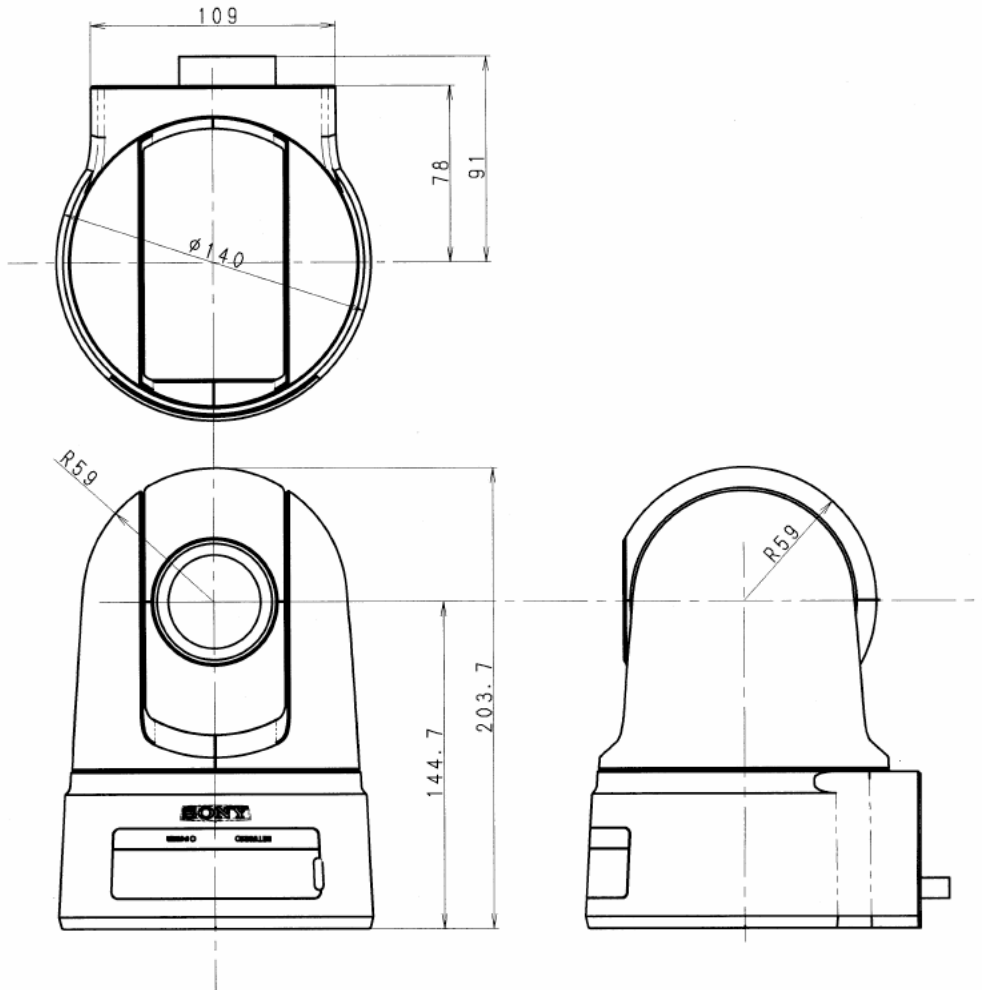
H. SYSTEM REQUIREMENTS

1. Operating system requirements: Microsoft Windows 2000/XP.
2. Minimum processor requirements: Pentium III, 1 GHz or higher.
3. Minimum memory requirements : 256MB RAM

4. Web browser requirements: shall be Internet Explorer version 5.5 or 6.0.

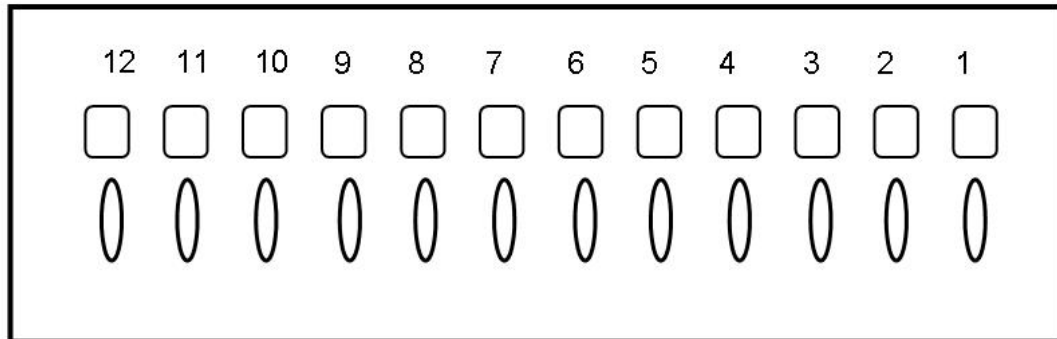
I. SUPPLIED ACCESSORIES

1. CD ROM containing User guide & setup program (1)
2. Installation manual (1)
3. Warranty card



Pin assignment / Connector

I/O port



Pin No	Pin name
1	Sensor in 1+
2	GND
3	Sensor in 2+
4	GND
5	Alarm out 1+
6	Alarm out 1-
7	Alarm out 2+
8	Alarm out 2-
9	GND
10	GND
11	RS232C_RX
12	RS232C_TX

©2005 Sony Electronics Inc. All rights reserved. Features and specifications subject to change without notice. Non-metric weights and measurements are approximate. SONY, Exwave HAD, Memory Stick, SteadyShot, and Nothing Escapes Us are trademarks of Sony. Windows, Internet Explorer are trademarks of Microsoft Corporation